

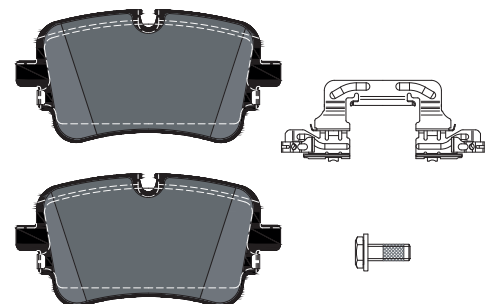
RANGE UPDATE

TEXTAR
BRAKE TECHNOLOGY



Part-No.: 2626701

Make	Model	Type	Year	Axle
AUDI	A6 Allroad C8 (4AH)	40 TDI Mild Hybrid quattro	09/20	rear
AUDI	A6 Allroad C8 (4AH)	45 TDI Mild Hybrid quattro	01/21	rear



Utilising cutting-edge brake technology, Textar brakes are precision engineered to offer maximum safety, performance and comfort. This uncompromising approach has been the very ethos of Textar for more than 100 years. And it's the reason why Textar remains a trusted partner to the world's leading vehicle manufacturers today.

For further product information please visit:



Visit us on
Facebook



www.textar.com