

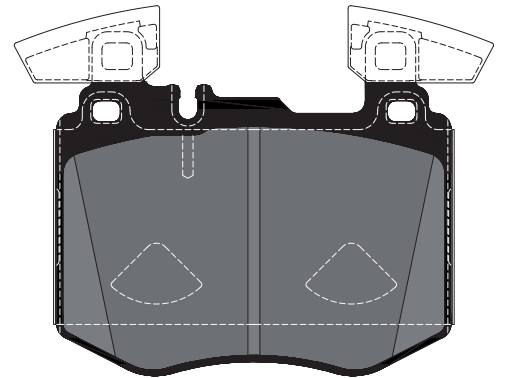
FIRST TO MARKET

Brake Pads for the new
Mercedes Benz GLC



Part-No.: 2115201

Make	Model	Type	Year	Axle
MERCEDES-BENZ	GLC Coupe (C253)	200 d (253.313)	04/19	front
MERCEDES-BENZ	GLC Coupe (C253)	200 EQ Boost 4-matic (253.381)	04/19	front
MERCEDES-BENZ	GLC Coupe (C253)	220 d 4-matic (253.315)	04/19	front
MERCEDES-BENZ	GLC Coupe (C253)	260 4-matic (253.381)	11/19	front
MERCEDES-BENZ	GLC Coupe (C253)	300 4-matic (253.384)	11/19	front
MERCEDES-BENZ	GLC Coupe (C253)	300 d 4-matic (253.319)	04/19	front
MERCEDES-BENZ	GLC Coupe (C253)	300 de 4-matic (253.311)	05/20	front
MERCEDES-BENZ	GLC Coupe (C253)	300 EQ Boost 4-matic (253.384)	04/19	front



At TMD Friction we are proud of our ability to be first to market with our aftermarket replacement products, proving our credentials as industry leaders for friction products.

Comparison based on Tecdoc analysis from 08/2021 and main competitor brands in the IAM

For further product information please visit:



Visit us on
Facebook



www.textar.com