

FIRST TO MARKET

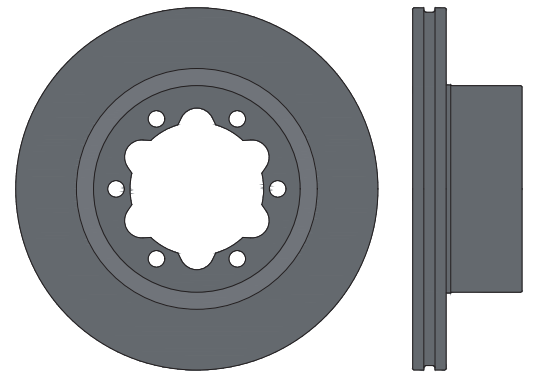
Brake Discs for the new
MAN TGE and VW Crafter

TEXTAR
BRAKE TECHNOLOGY



Part No.: 92305803

Make	Model	Type	Year	Axle
MAN	TGE Bus (UY_)	2.0 TDI RWD	01/19	rear
MAN	TGE Box (UY_, UX_)	2.0 TDI RWD	10/17	rear
MAN	TGE Platform/Chassis (UZ_)	2.0 TDI RWD	11/17	rear
VW	CRAFTER Bus (SYI, SYJ)	2.0 TDI 4motion	04/17	rear
VW	CRAFTER Box (SY_, SX_)	2.0 TDI RWD	10/17	rear
VW	CRAFTER Platform/Chassis (SZ_)	2.0 TDI RWD	11/17	rear



This table shows only an excerpt of the applications.
Please check Brakebook for a complete overview

At TMD Friction we are proud of our ability to be first to market with our aftermarket replacement products, proving our credentials as industry leaders for friction products.

Comparison based on TecDoc analysis from 09/2020 and main competitor brands.

For further product information please visit:



Visit us on
Facebook



www.textar.com