

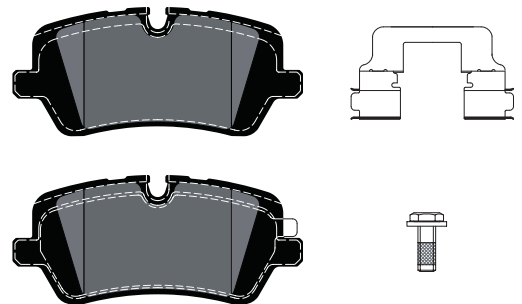
RANGE UPDATE

Brake pads for the new Land Rover Defender



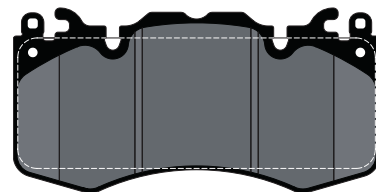
Part No.: 2572001

Make	Model	Type	Year	Axle
LAND ROVER	DEFENDER Station Wagon (L663)	2.0 D200 SD4 4x4	09/19 -	Rear
LAND ROVER	DEFENDER Station Wagon (L663)	2.0 D240 SD4 4x4	09/19 -	Rear
LAND ROVER	DEFENDER Station Wagon (L663)	2.0 P300 Si4 4x4	09/19 -	Rear
LAND ROVER	DEFENDER Station Wagon (L663)	3.0 P400 I6 MHEV 4x4	09/19 -	Rear



Part No.: 2465901

Make	Model	Type	Year	Axle
LAND ROVER	DEFENDER Station Wagon (L663)	2.0 D200 SD4 4x4	09/19 -	Front
LAND ROVER	DEFENDER Station Wagon (L663)	2.0 D240 SD4 4x4	09/19 -	Front
LAND ROVER	DEFENDER Station Wagon (L663)	2.0 P300 Si4 4x4	09/19 -	Front
LAND ROVER	DEFENDER Station Wagon (L663)	3.0 P400 I6 MHEV 4x4	09/19 -	Front



Utilising cutting-edge brake technology, Textar brakes are precision engineered to offer maximum safety, performance and comfort. This uncompromising approach has been the very ethos of Textar for more than 100 years. And it's the reason why Textar remains a trusted partner to the world's leading vehicle manufacturers today.

For further product information please visit:



Visit us on Facebook



www.textar.com