

FIRST TO MARKET*

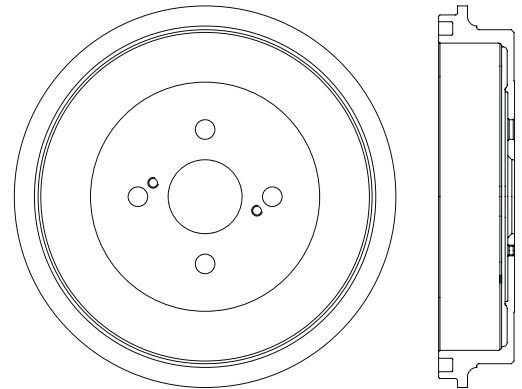
Brake Drums for the Toyota Yaris

TEXTAR
BRAKE TECHNOLOGY



Part No.: 94040900

Make	Model	Type	Year	Axle
SCION	iQ Schrägheck (NGJ1)	ELECTRIC	09/12-	rear
TOYOTA	AQUA (NHP1)	1.5 Hybrid	12/11-	rear
	COROLLA Kombi (E14)	1.5 / 1.5 4WD / 1.8 / 1.8 4WD / 1.8 Flex	09/06-	rear
	COROLLA Kombi (NKE16, NZE16)	1.5 / 1.5 4WD / 1.5 Hybrid / 1.8	05/12-	rear
	IQ (KPJ1, NGJ1, KGJ1, NUJ1)	EV	09/12-	rear
	PORTE II (NCP14)	1.5 / 1.5 4WD	08/12-	rear
	PRIUS C (NHP10)	1.5 Hybrid	09/11-	rear
	RACTIS (SCP10, NCP10)	1.3 / 1.5 VVTi / 1.5 VVTi 4WD	09/05-08/10	rear
	SPADE (NCP14)	1.5 / 1.5 4WD	08/12-	rear
	YARIS (SCP9, NSP9, KSP9, NCP9, ZSP9)	1.33 VVT-i	03/09-	rear
	YARIS (NHP13, NSP13, NCP13, KSP13, NLP13)	1.3 / 1.3 4WD	12/10-	rear



At TMD Friction we are proud of our ability to be first to market with our aftermarket replacement products, proving our credentials as industry leaders for friction products.

* Comparison based on Tecdoc analysis from 6/2016 and main competitors.

For further product information please visit:



www.textar.com