

2918701

MERITOR EX225 H2 & H3 CALIPERS FOR PREMIUM LONG LIFE APPLICATIONS T7400 formulation for front & rear axle

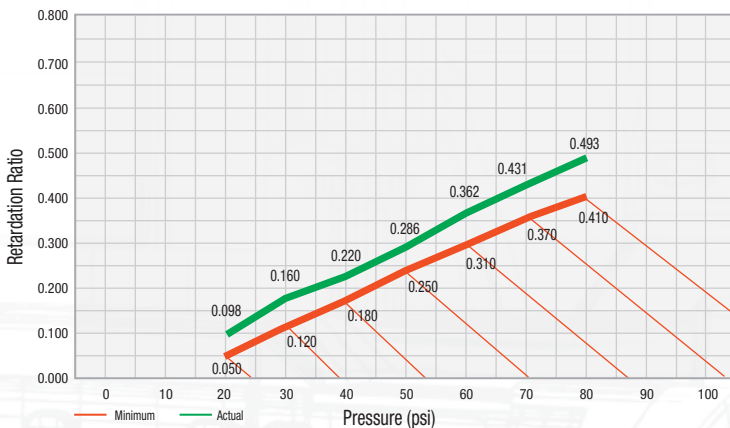
TMD / TEXTAR Air Disc Brake pads are the global leaders in the ADB market

OE designed, approved & released formula to meet North American vehicle & caliper performance demands.

- Premium long life grade friction material
- Meets FMVSSI-121 requirements
- Specific to meet Transit, Coach & Refuse vehicle requirements
- Excellent NVH properties
- Excellent friction stability
- Excellent disc compatibility
- Asbestos free material
- Includes wear indicator slot



RETARDATION



FMVSS-121 CONDITIONS:

Caliper: EX225H2
Axle Rating: 28,600 lb
Rolling Radius: 18.7 inch
Air Chamber T24

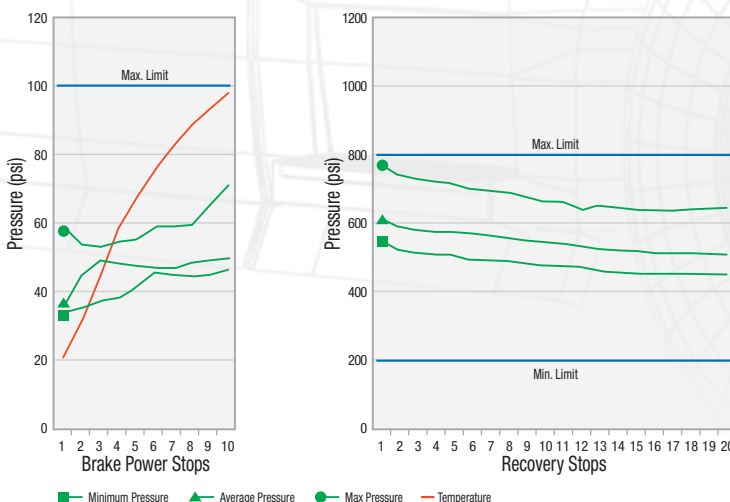
WEAR CONDITIONS:

Caliper: EX225H2
Axle Load: 20,000 lb
Rolling Radius: 19.7 inch
Air Chamber T20

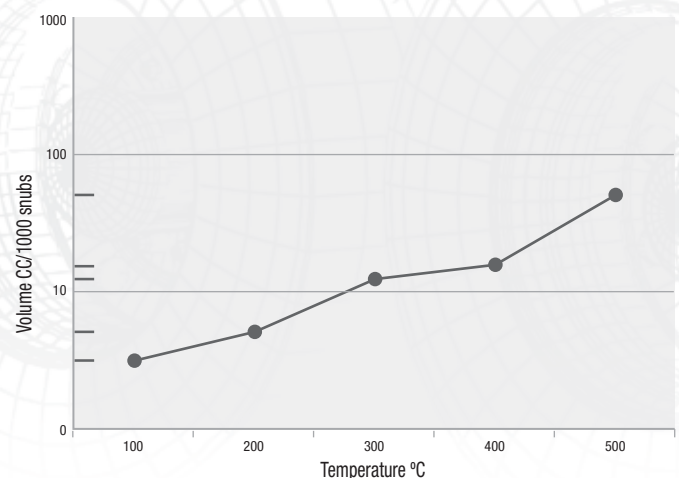
PHYSICAL PROPERTIES:

Density	3.03 g/cm ³
Compressibility	139 microns @50KN
Shear Strength	4.4 N/mm ²

BRAKE POWER & RECOVERY



TMD OE WEAR & TEMPERATURE TEST



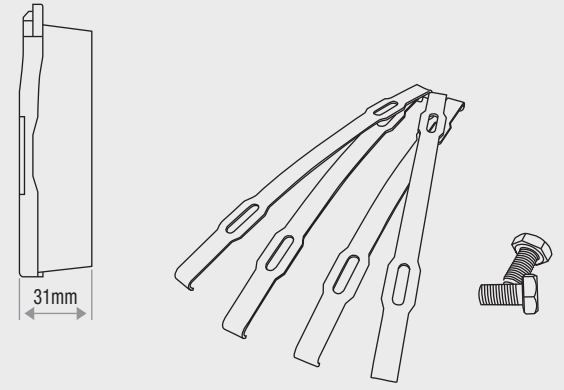
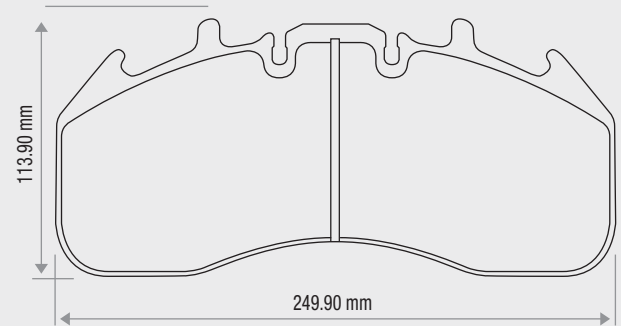
2918701

OE PART NUMBER: KIT225H2CD
FMSI: 8426-D1311
WVA: 29187



TEXTAR®

-  *Single Drive Axle Tractor*
-  *Tandem Drive Axle Tractor*
-  *Spread Tandem*
-  *Multiple Trailer*
-  *Van Trailer*
-  *Straight Truck*
-  *Flat Bed Trailer*
-  *Dry Bulk*
-  *Logging Trailer*
-  *Car Hauler*
-  *Livestock Trailer*
-  *Tanker*
-  *School Bus*
-  *Fire Engine*
-  *Refuse Truck*
-  *Tandem Drive Axle Mixer Truck*
-  *Single Drive Axle Dump*
-  *Tandem Drive Axle Dump*
-  *Transit*
-  *Coach*



HARDWARE KIT INCLUDED

Recommended Optional

For further information contact:

TMD FRICTION
A NISSHINBO GROUP COMPANY

*This application guide is described as general reference. The correct material for your application should be reviewed with a brake friction professional