

2913111

MERITOR D-ELSA 2 CALIPER FOR PREMIUM EUROPEAN APPLICATION D7500 formulation for front & rear axle

TMD / TEXTAR Air Disc Brake pads are the global leaders in the ADB market

OE designed, approved & released formula to meet European vehicle & caliper performance demands.

- Premium long life grade friction material
- Meets ECR-90 requirements
- Specific to meet Transit vehicle requirements
- Excellent friction stability
- Very low disc wear
- Asbestos free material
- Includes wear indicator slot

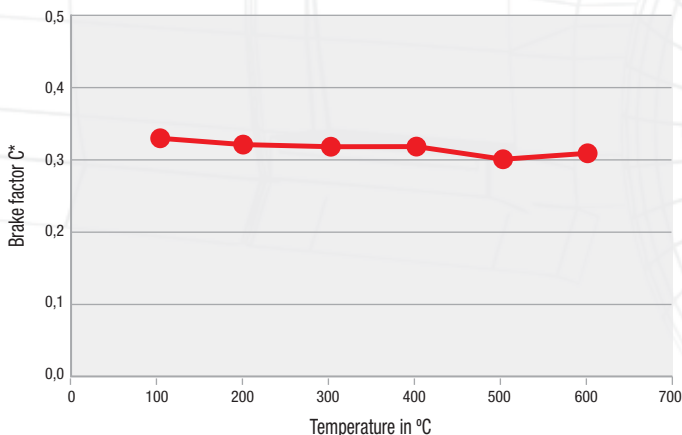


TEST CONDITIONS: Caliper: D-ELSA 2
Axle Rating: 20,000 lb
Rolling Radius: 20.7 inch
Air Chamber T24

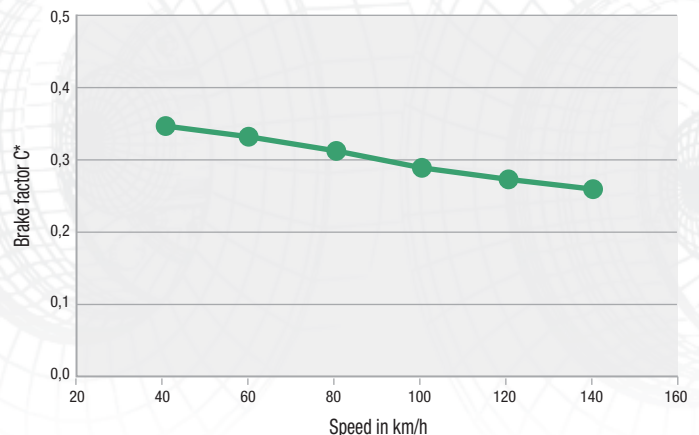
PHYSICAL PROPERTIES:

Density	3.1 g/cm ³
Compressibility	90-140 μm
Shear Strength	7-9 N/mm ²

TEMPERATURE SENSITIVITY



SPEED SENSITIVITY



2913111

OE PART NUMBER: MDP5097

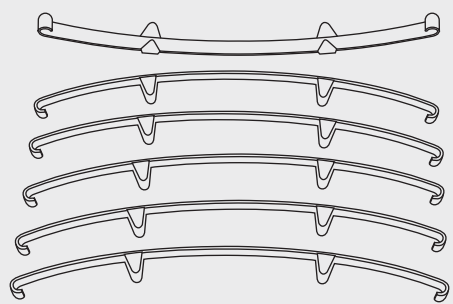
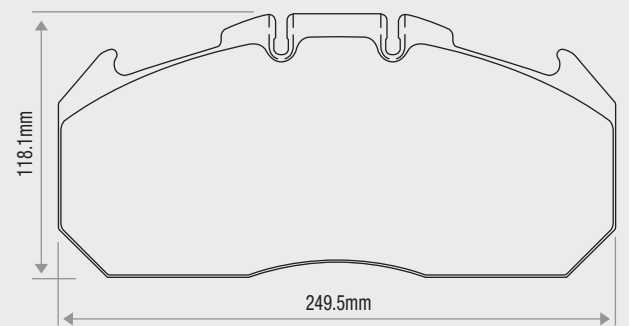
FMSI: 8425-D1310

WVA: 29156 / 29131



TEXTAR®

-  *Single Drive Axle Tractor*
-  *Tandem Drive Axle Tractor*
-  *Spread Tandem*
-  *Multiple Trailer*
-  *Van Trailer*
-  *Straight Truck*
-  *Flat Bed Trailer*
-  *Dry Bulk*
-  *Logging Trailer*
-  *Car Hauler*
-  *Livestock Trailer*
-  *Tanker*
-  *School Bus*
-  *Fire Engine*
-  *Refuse Truck*
-  *Tandem Drive Axle Mixer Truck*
-  *Single Drive Axle Dump*
-  *Tandem Drive Axle Dump*
-  *Transit*
-  *Coach*



HARDWARE KIT INCLUDED

Recommended  Optional 

For further information contact:

TMD FRICTION
A NISSHINBO GROUP COMPANY

*This application guide is described as general reference. The correct material for your application should be reviewed with a brake friction professional