

# 2911307

## MERITOR D-ELSA 1 CALIPER FOR PREMIUM EUROPEAN APPLICATION T3023 formulation for front & rear axle

**TMD / TEXTAR Air Disc Brake pads are the global leaders in the ADB market**

**OE designed, approved & released formula to meet European vehicle and caliper performance demands.**

- Premium grade friction material
- Meets ECR-90 requirements
- Specific to meet Transit vehicle requirements
- Excellent friction stability
- Very low disc wear
- Asbestos free material
- Includes wear indicator slot

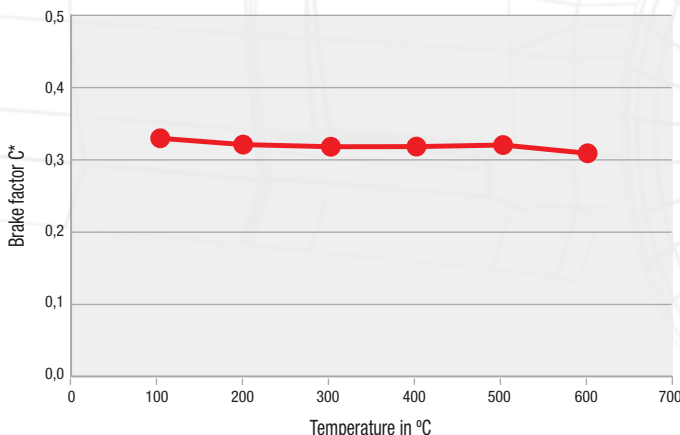


**TEST CONDITIONS:** Caliper: D-ELSA 1  
Axle Rating: 20,000 lb  
Rolling Radius: 19.2 inch  
Air Chamber T24

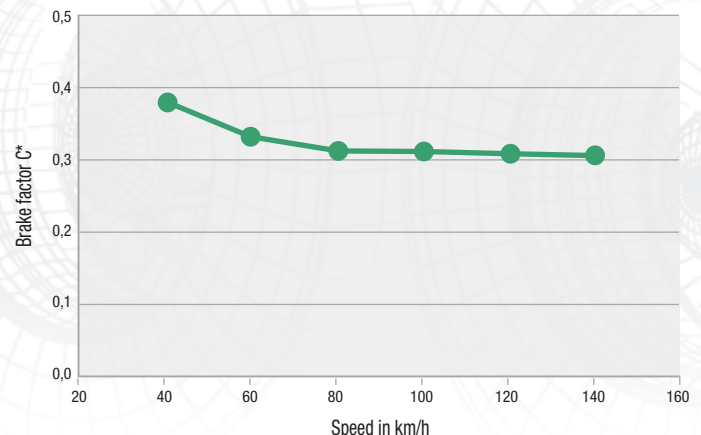
### PHYSICAL PROPERTIES:

Density	2.95 g/cm <sup>3</sup>
Compressibility	110-180 μm
Shear Strength	6 N/mm <sup>2</sup>

### TEMPERATURE SENSITIVITY



### SPEED SENSITIVITY



# 2911307

OE PART NUMBER: MDP5065

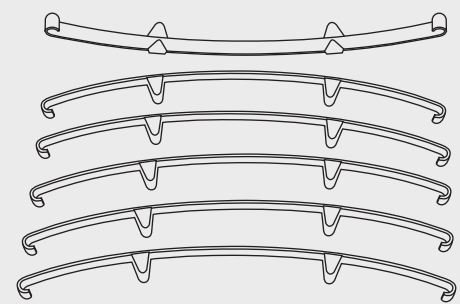
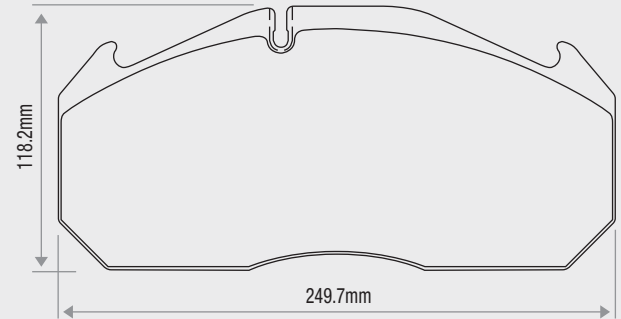
FMSI: 8515-D1407

WVA: 29210 / 29113



## TEXTAR®

	Single Drive Axle Tractor	<input type="checkbox"/>
	Tandem Drive Axle Tractor	<input type="checkbox"/>
	Spread Tandem	<input type="checkbox"/>
	Multiple Trailer	<input type="checkbox"/>
	Van Trailer	<input type="checkbox"/>
	Straight Truck	<input type="checkbox"/>
	Flat Bed Trailer	<input type="checkbox"/>
	Dry Bulk	<input type="checkbox"/>
	Logging Trailer	<input type="checkbox"/>
	Car Hauler	<input type="checkbox"/>
	Livestock Trailer	<input type="checkbox"/>
	Tanker	<input type="checkbox"/>
	School Bus	<input type="checkbox"/>
	Fire Engine	<input type="checkbox"/>
	Refuse Truck	<input type="checkbox"/>
	Tandem Drive Axle Mixer Truck	<input type="checkbox"/>
	Single Drive Axle Dump	<input type="checkbox"/>
	Tandem Drive Axle Dump	<input type="checkbox"/>
	Transit	<input checked="" type="checkbox"/>
	Coach	<input type="checkbox"/>



**HARDWARE KIT INCLUDED**

Recommended  Optional

For further information contact:

**TMD FRICTION**  
A NISSHINBO GROUP COMPANY

\*This application guide is described as general reference. The correct material for your application should be reviewed with a brake friction professional

[www.tmdfriction.us](http://www.tmdfriction.us)