

2911303

MERITOR D-ELSA 1 CALIPER FOR STANDARD - EUROPEAN APPLICATION T3010 formulation for front & rear axle

TMD / TEXTAR Air Disc Brake pads are the global leaders in the ADB market

OE designed, approved & released formula to meet European vehicle and caliper performance demands.

- Premium grade friction material
- Meets ECR-90 requirements
- Specific to meet Coach vehicle requirements
- Excellent friction stability
- Very low disc wear
- Asbestos free material
- Includes wear indicator slot

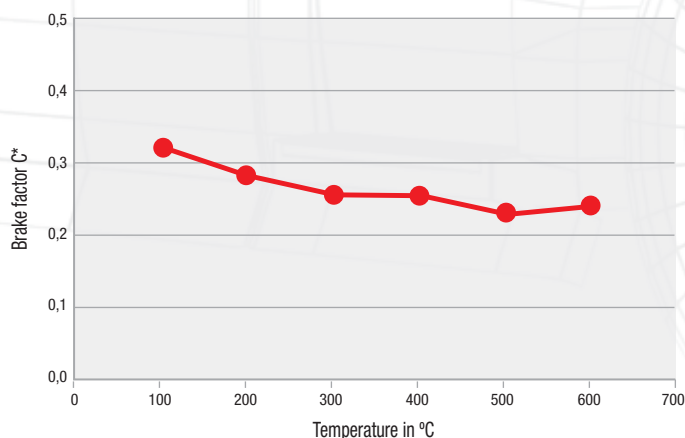


TEST CONDITIONS: Caliper: D-ELSA 1
Axle Rating: 20,000 lb
Rolling Radius: 19.2 inch
Air Chamber T24

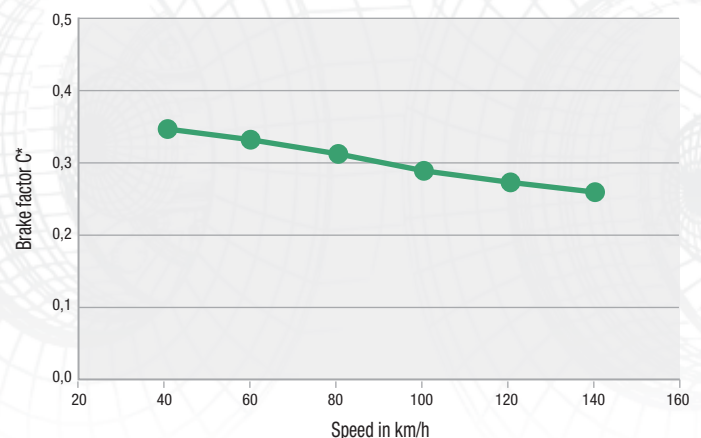
PHYSICAL PROPERTIES:

Density	2.6-2.7 g/cm ³
Compressibility	90-140 μm
Shear Strength	6.5-7.8 N/mm ²

TEMPERATURE SENSITIVITY



SPEED SENSITIVITY



2911303

OE PART NUMBER: MDP5038

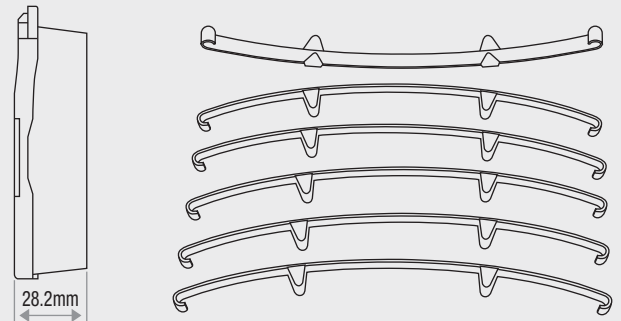
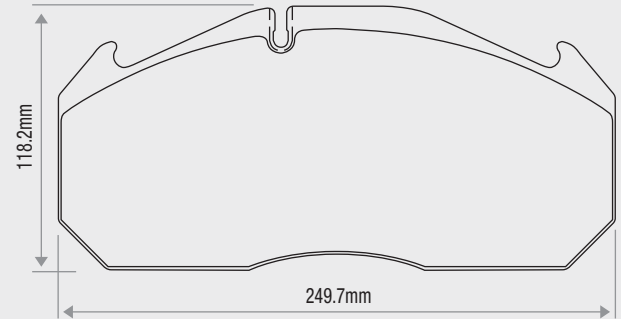
FMSI: 8515-D1407

WVA: 29210 / 29113



TEXTAR®

	Single Drive Axle Tractor	<input type="checkbox"/>
	Tandem Drive Axle Tractor	<input type="checkbox"/>
	Spread Tandem	<input type="checkbox"/>
	Multiple Trailer	<input type="checkbox"/>
	Van Trailer	<input type="checkbox"/>
	Straight Truck	<input type="checkbox"/>
	Flat Bed Trailer	<input type="checkbox"/>
	Dry Bulk	<input type="checkbox"/>
	Logging Trailer	<input type="checkbox"/>
	Car Hauler	<input type="checkbox"/>
	Livestock Trailer	<input type="checkbox"/>
	Tanker	<input type="checkbox"/>
	School Bus	<input type="checkbox"/>
	Fire Engine	<input type="checkbox"/>
	Refuse Truck	<input type="checkbox"/>
	Tandem Drive Axle Mixer Truck	<input type="checkbox"/>
	Single Drive Axle Dump	<input type="checkbox"/>
	Tandem Drive Axle Dump	<input type="checkbox"/>
	Transit	<input type="checkbox"/>
	Coach	<input type="checkbox"/>



HARDWARE KIT INCLUDED

Recommended Optional

For further information contact:

TMD FRICTION
A NISSHINBO GROUP COMPANY

*This application guide is described as general reference. The correct material for your application should be reviewed with a brake friction professional

www.tmdfriction.us