

2903009

MERITOR D-3 CALIPER FOR PREMIUM LONG LIFE T7400 formulation for front & rear axle

TMD / TEXTAR Air Disc Brake pads are the global leaders in the ADB market

OE designed, approved & released formula to meet European vehicle and caliper performance demands.

- Premium long life grade friction material
- Meets ECR-90 requirements
- Specific to meet Transit vehicle requirements
- Excellent friction stability
- Excellent disc compatibility
- Asbestos free material
- Includes wear indicator slot



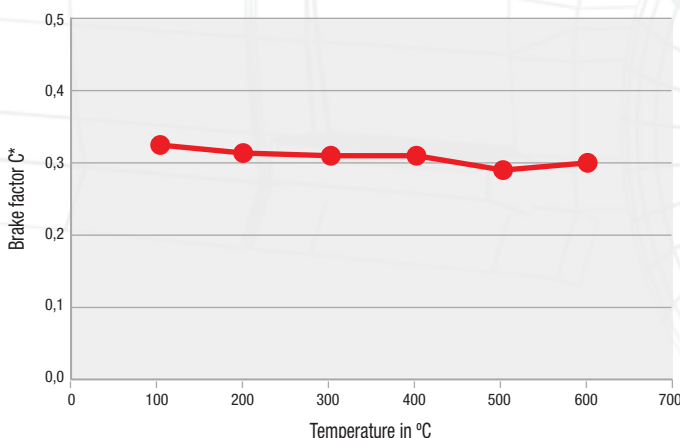
TEST CONDITIONS: Caliper: D-3
Axle Rating: 20,000 lb
Rolling Radius: 19.2 inch
Air Chamber T24



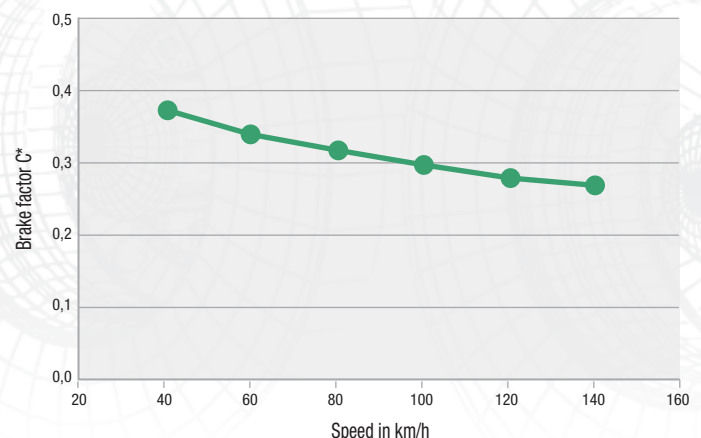
PHYSICAL PROPERTIES:

Density	3.1 g/cm ³
Compressibility	90-140 μm
Shear Strength	7.0-9.0 N/mm ²

TEMPERATURE SENSITIVITY



SPEED SENSITIVITY



2903009

OE PART NUMBER: MDP5065

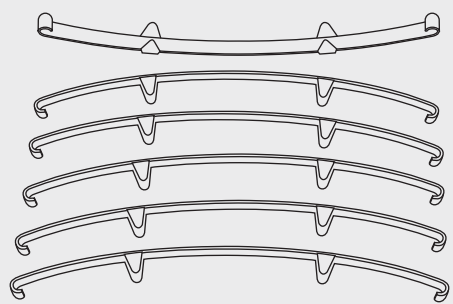
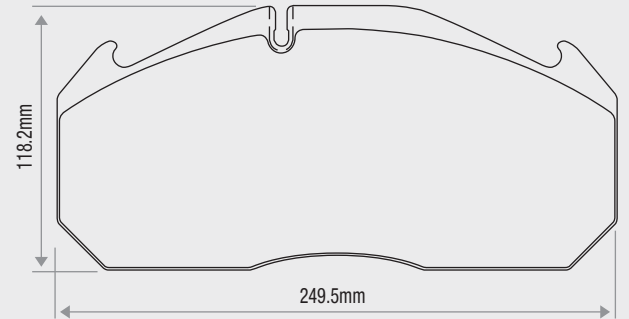
FMSI: 8515-D1407

WVA: 29210 / 29030



TEXTAR®

-  *Single Drive Axle Tractor*
-  *Tandem Drive Axle Tractor*
-  *Spread Tandem*
-  *Multiple Trailer*
-  *Van Trailer*
-  *Straight Truck*
-  *Flat Bed Trailer*
-  *Dry Bulk*
-  *Logging Trailer*
-  *Car Hauler*
-  *Livestock Trailer*
-  *Tanker*
-  *School Bus*
-  *Fire Engine*
-  *Refuse Truck*
-  *Tandem Drive Axle Mixer Truck*
-  *Single Drive Axle Dump*
-  *Tandem Drive Axle Dump*
-  *Transit*
-  *Coach*



HARDWARE KIT INCLUDED

Recommended Optional

For further information contact:

TMD FRICTION
A NISSHINBO GROUP COMPANY

*This application guide is described as general reference. The correct material for your application should be reviewed with a brake friction professional